

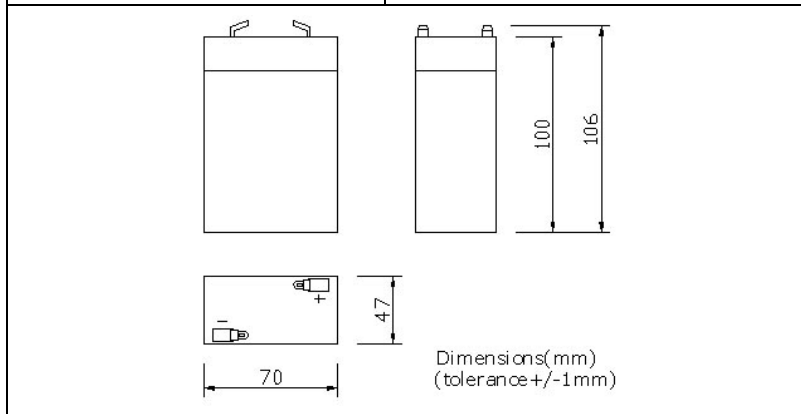
EnergiVm

CE  MH 28269

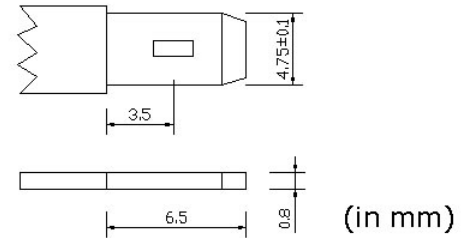
MV645 (6V4.5Ah)

PHYSICAL SPECIFICATION

Nominal Voltage		6V
Nominal Capacity (20HR)		4.5Ah
Dimension	Length	70±1mm (2.76 inches)
	Width	47±1mm (1.85 inches)
	Container Height	100±1mm (3.94 inches)
	Total Height	106±1mm (4.17 inches)
Weight		Approx. 0.75Kg (1.65lbs)
Standard Terminal		F1-Fasten Tab No.187E



F1(Fasten Tab No.187E)
Standard Terminal



ELECTRICAL SPECIFICATION

Characteristics		
Capacity	20 hour rate (0.225A)	4.5Ah
	10 hour rate (0.405A)	4.0Ah
	5 hour rate (0.765A)	3.8Ah
	3 hour rate (1.125A)	3.4Ah
	1hour rate (2.7A)	2.7Ah
Capacity affected by temperature	40°C (104 °F)	102%
	25°C (77 °F)	100%
	0°C (32 °F)	85%
Internal Resistance	Full charged battery (25°C,77 °F) 25m Ω	
Constant Voltage Charge	Cycle	Initial Charging Current less than 1.35A Voltage 7.20~7.50V at 25°C (77 °F) Temperature Coefficient -15mV/°C
	Standby	No limit on Initial Charging Current Voltage 6.75~6.90V at 25°C (77 °F) Temperature Coefficient -10mV/°C

