

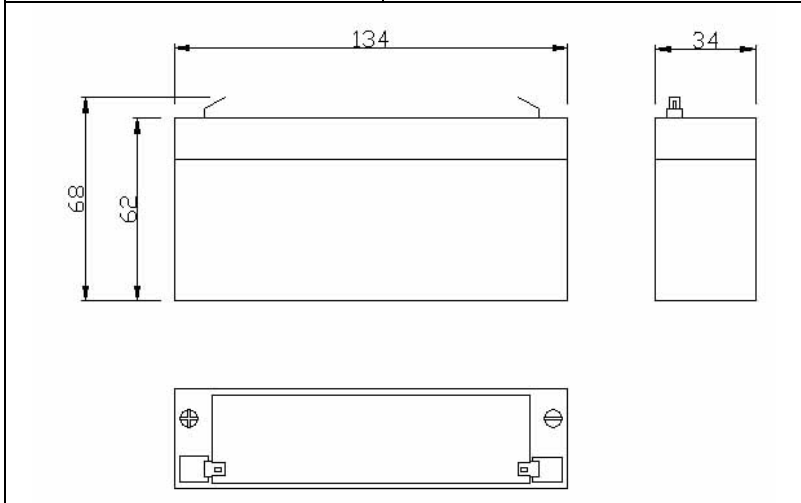
# EnergiVm

CE  MH 28269

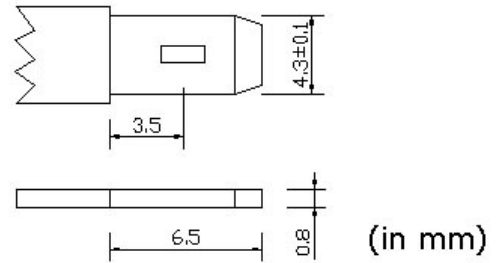
MV632(6V3.2Ah)

## PHYSICAL SPECIFICATION

Nominal Voltage Nominal Capacity (20HR)		6V 3.2Ah
Dimension	Length	134±1mm (5.28 inches)
	Width	34±1mm (1.34 inches)
	Container Height	62±1mm (2.44 inches)
	Total Height	67±1mm (2.68 inches)
Weight		Approx. 0.65Kg (1.43lbs)
Standard Terminal		Fasten Tab No.187E



F1(Fasten Tab No.187E)  
Standard Terminal



## ELECTRICAL SPECIFICATION

Characteristics		
Capacity	20 hour rate (0.16A) 10 hour rate (0.288A) 5 hour rate (0.544A) 3 hour rate (0.8A) 1hour rate (1.92A)	3.2Ah 2.88Ah 2.72Ah 2.4Ah 1.92Ah
Capacity affected by temperature	40°C (104 °F) 25°C (77 °F) 0°C (32 °F)	102% 100% 85%
Internal Resistance	Full charged battery (25°C, 77 °F) 25mΩ	
Constant Voltage Charge	Cycle	Initial Charging Current less than 0.96A Voltage 7.20~7.50V at 25°C (77 °F) Temperature Coefficient -15mV/°C
	Standby	No limit on Initial Charging Current Voltage 6.75~6.90V at 25°C (77 °F) Temperature Coefficient -10mV/°C

